

# D SYSTEM

## VALUE COUPLER

Rugged construction featuring chrome-plated forged brass body, probe and stainless steel handle fork.  
Use for: Beer

PART NO.	PROBE	BODY	HANDLE	SYSTEM
7485BB	Brass	Brass	Black	D
7485BB-B	Brass	Brass	Blue	D
7485BB-G	Brass	Brass	Gold	D
7485BB-R	Brass	Brass	Red	D

## BEST COUPLER

Featuring 304 grade stainless steel probe, chrome-plated forged brass body and stainless steel handle fork.  
Use for: Beer, wine, cider

PART NO.	PROBE	BODY	HANDLE	SYSTEM
7485BS	304 SS	Brass	Black	D

## BREWERY-GRADE COUPLER

Durable construction featuring 304 grade stainless steel body, probe and handle fork.  
Use for: Beer, wine, cider

PART NO.	PROBE	BODY	HANDLE	SYSTEM
7485SS	304 SS	304 SS	Gray	D



## LOW PROFILE COUPLER

Stainless steel body and probe. Use for: All beers, wine, cider

PART NO.	DESCRIPTION	PROBE	SYSTEM
MM-LPC-D	Low-profile coupler	304 SS	D



# REPLACEMENT PARTS

ITEM	PART NO.	DESCRIPTION
	401-108	Swivel elbow 304 stainless steel
1	102-524	Check ball retainer
2	102-527	Check ball
3	733-382	Brass probe (D System)
3	3739-304	304 stainless steel probe (D System)
3A	733-383	Probe (S System)
4	102-376	Probe seal (D System)
4A	102-522	Probe seal (S System)
5	403-014	Black handle assembly
5	403-013	Yellow handle assembly
5	403-012	Red handle assembly
5	403-011	Blue handle assembly
6	733-363	Hinge pin
7	733-040	Pressure relief valve assembly
8	102-521	Body washer
9	404-321	Hose nipple
11	102-530	Check valve
12	102-526	Body o-rings (two required)

# ACCESSORIES

PART NO.	DESCRIPTION
FT101L	Probe and o-ring lubricant. FDA listed. Odorless and tasteless. 1 oz can.



D SYSTEM

7485BB



7485BS  
304 contact



7485SS  
304 stainless steel



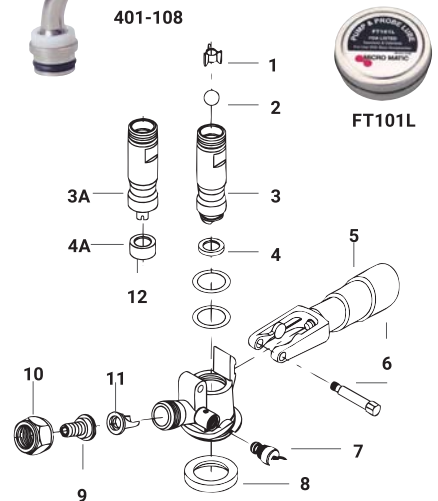
7485BB-R



MM-LPC-D



401-108



FT101L

7485BB, 7485BS, 7485SS D System and 7486BB, 7486BS, 7486SS S System Couplers